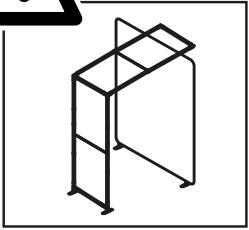


contour.arch 3'x8'

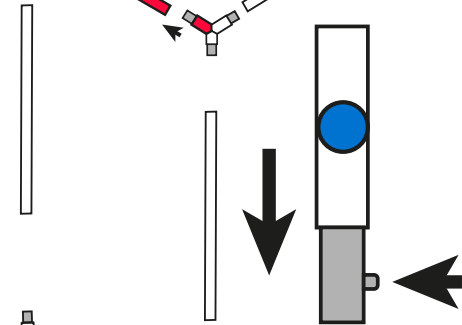
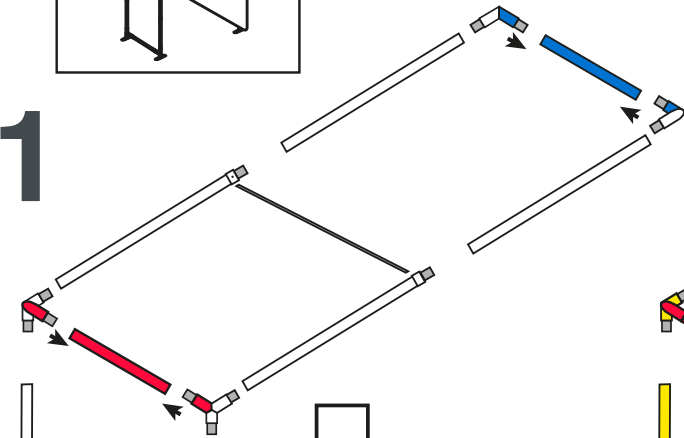


The arch must be attached to a frame that is already set up.

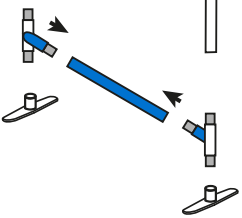


SET UP INSTRUCTIONS FRAMES

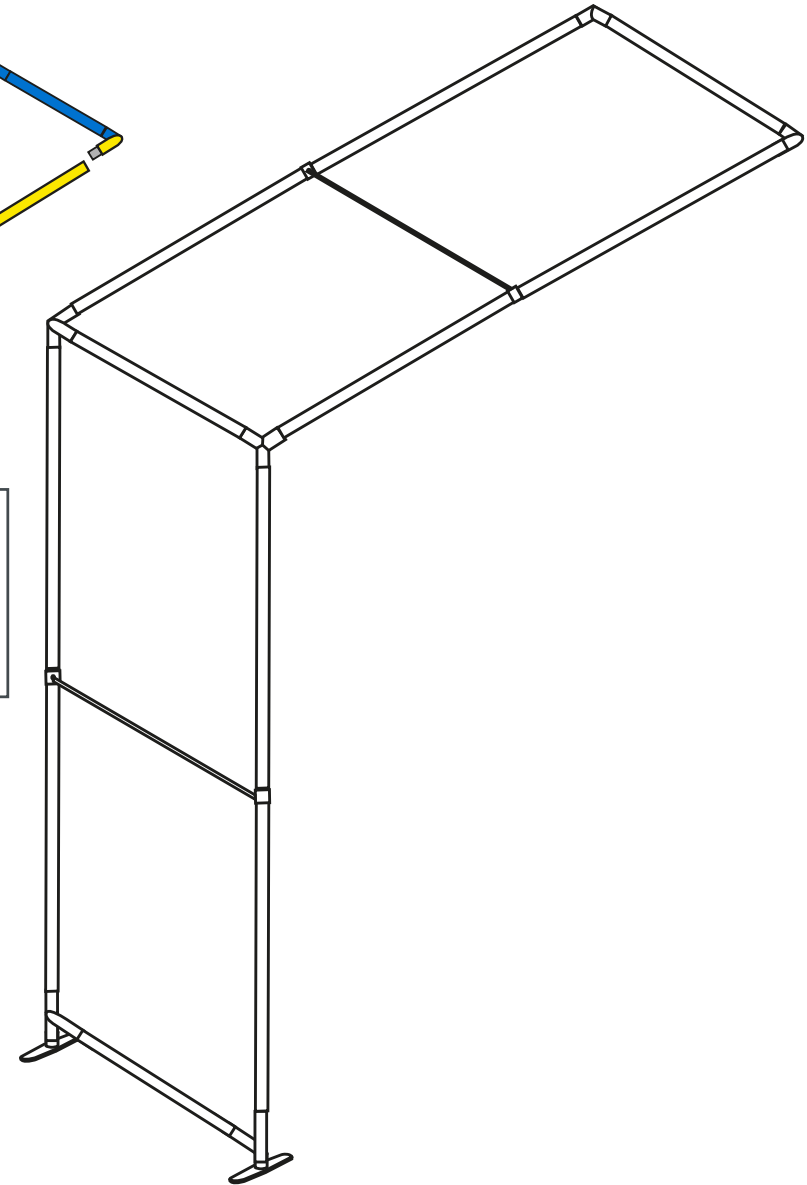
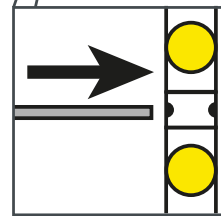
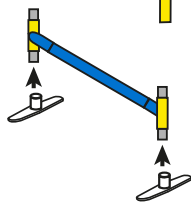
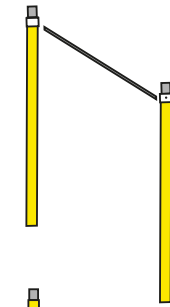
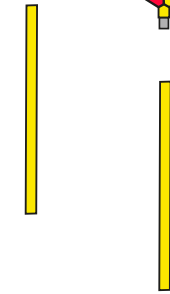
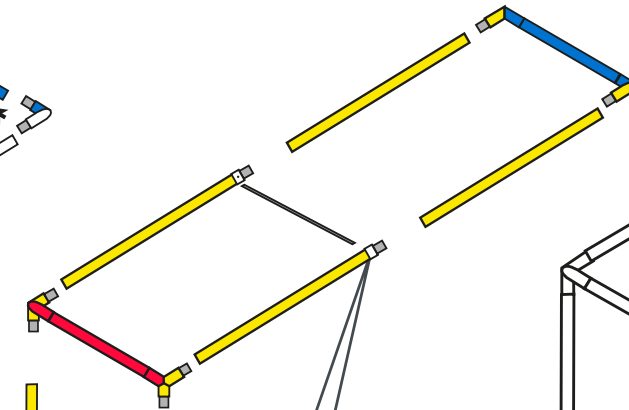
1



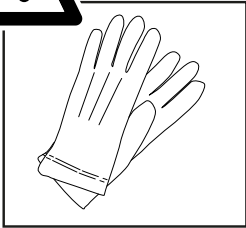
2



3

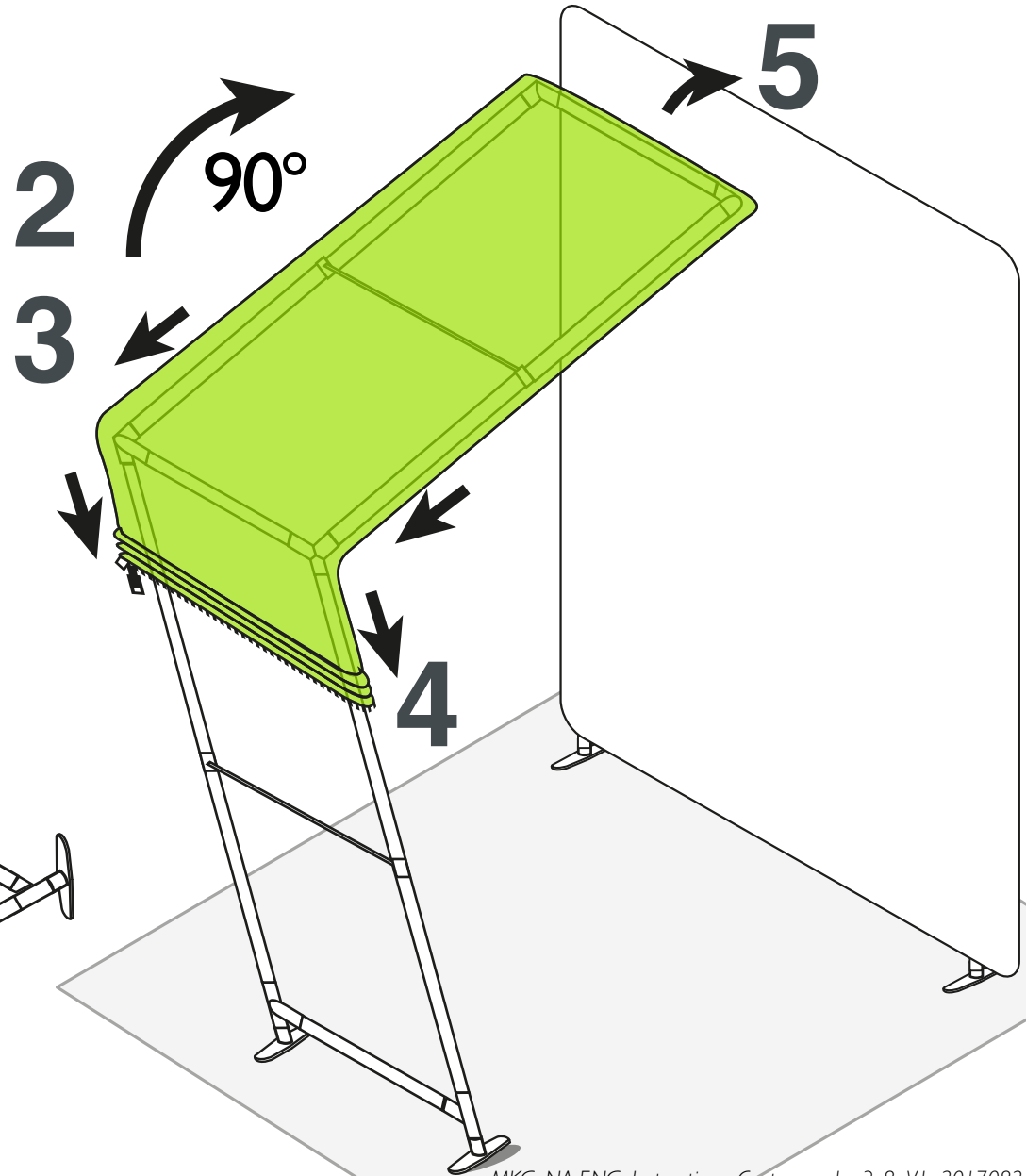
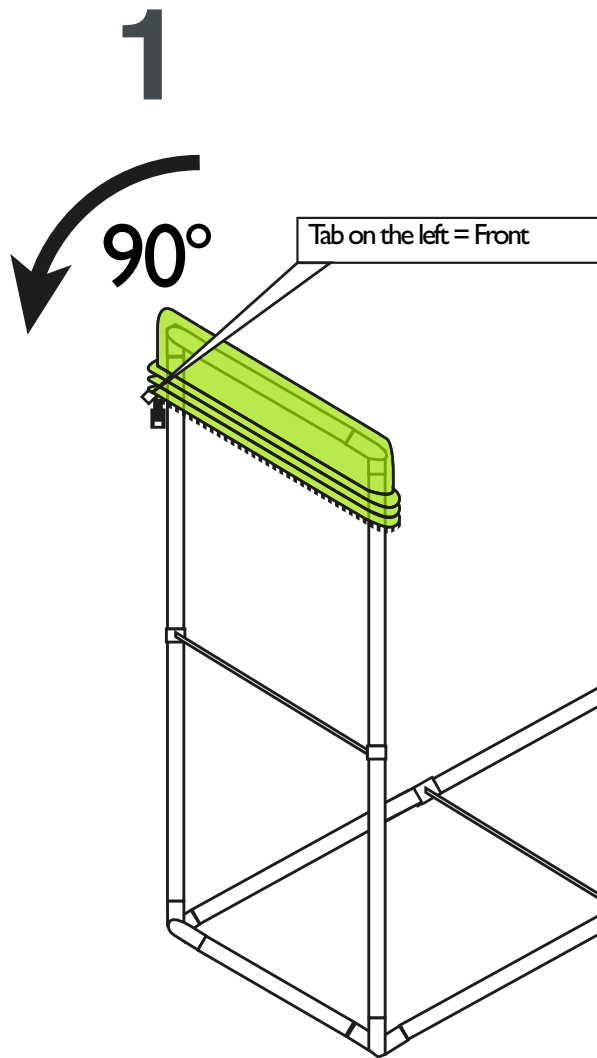


contour.arch 3'x8'

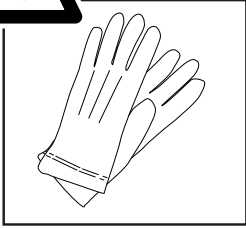


Tips: Use gloves and work on a clean site.

SET UP INSTRUCTIONS GRAPHIC



contour.arch 3'x8'



Conseils : utilisez les gants et travaillez sur un emplacement propre.

Tips: Use gloves and work on a clean site.

SET UP INSTRUCTIONS GRAPHIC

