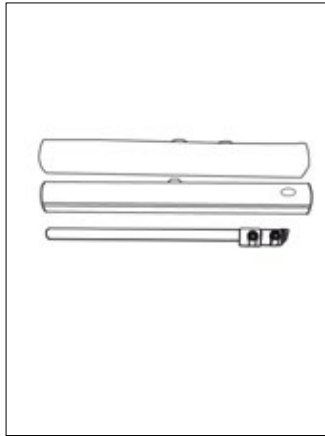
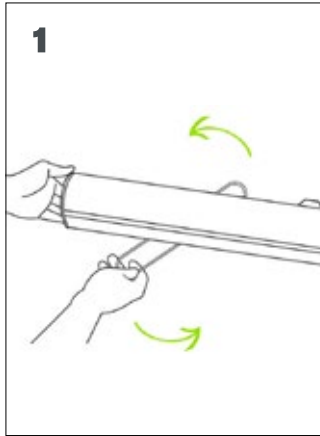


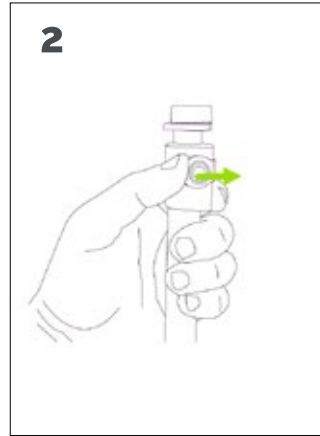
## SET UP INSTRUCTIONS



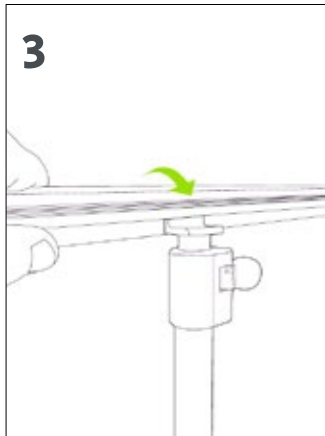
Contents:  
1 retractable banner stand +  
telescopic pole + transport bag



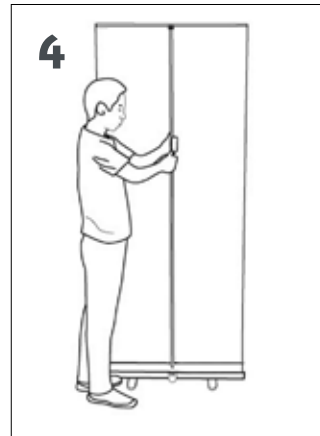
1 Pull the stabilizing feet out to be perpendicular with the base.



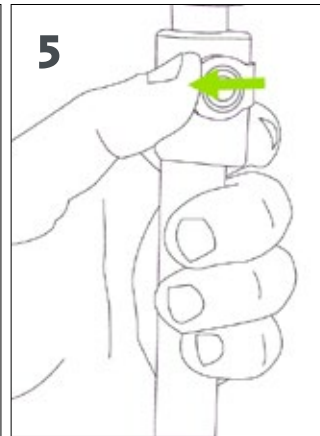
2 Open the locking clamp on the top of the telescopic pole.



3 Insert the graphic hanger into the center of the pole's head.

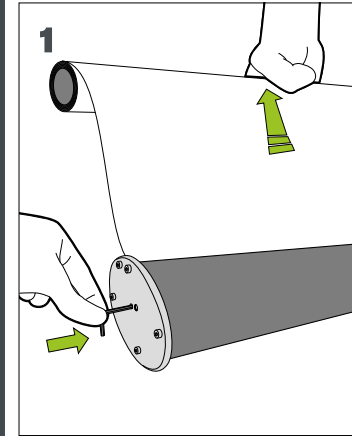


4 Adjust the height of the telescopic pole according to the length of the graphic.

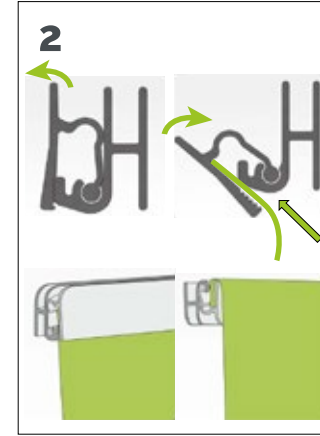


5 Close the locking clamp of the telescopic pole.

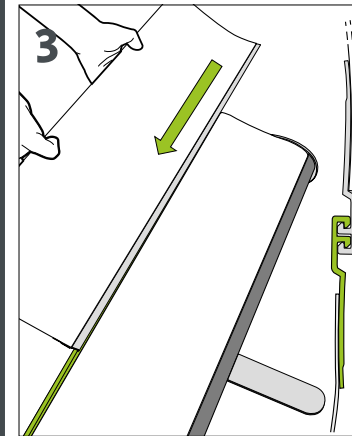
## REPLACING THE GRAPHIC



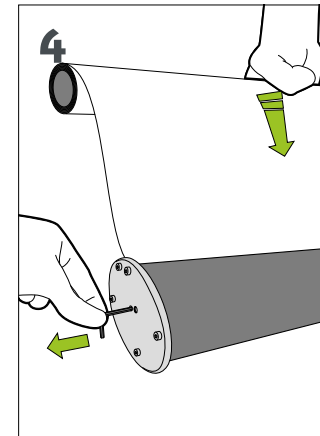
1 Pull the graphic and block it with the Allen Key.



2 Slide the graphic into the top aluminium profile.



3 Slide the base of the graphic onto the "ECI" plastic extrusion leader strip.



4 Remove the Allen Key and gently retract the graphic into the casing strip.

