

SET UP INSTRUCTIONS

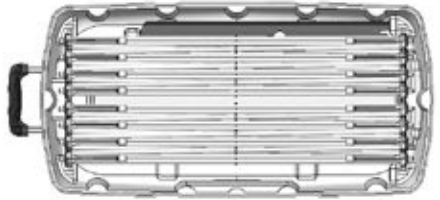
STORAGE

Contents of the kit

- 1 Corrugated roll
- 1 counter top
- 2 xpressions (3x1)
- 2 shelves



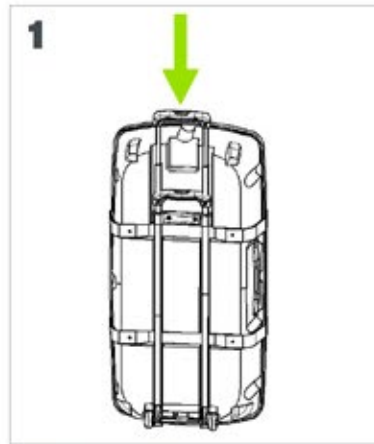
1 - Shelves and stabilizing feet



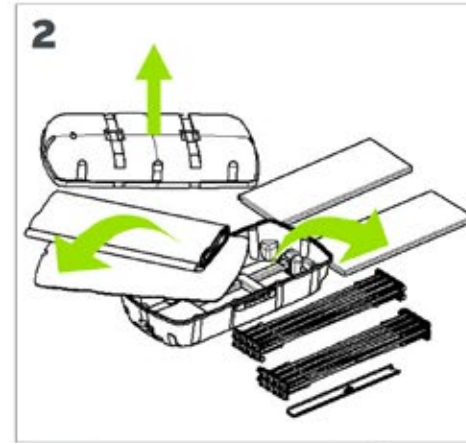
2 - xpressions displays with graphics



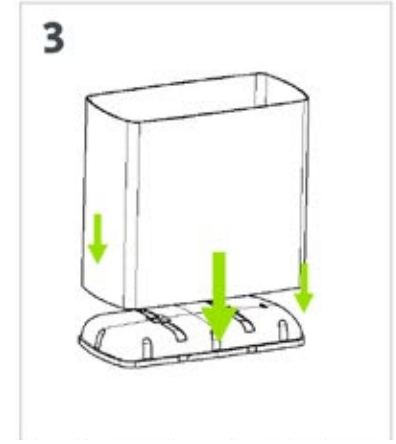
3 - The counter top and roll



1 Lower the handle to its bottom.



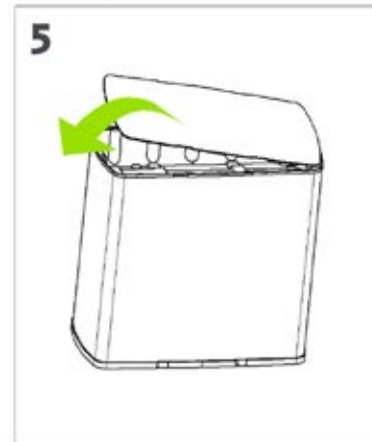
2 Open the rotomolded container and remove the xpressions displays, counter top and pole from the bottom lid.



3 Place the top on the ground and place the roll around the lid.



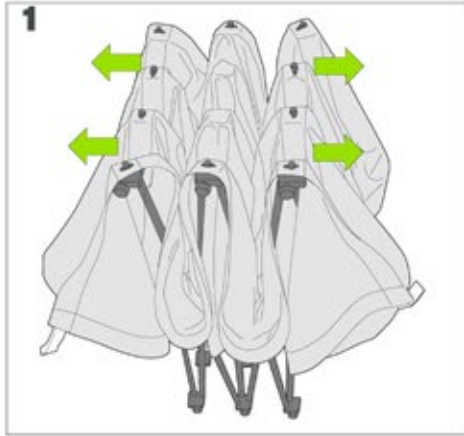
4 Place the bottom lid, rounded portion facing down into the top of the roll. This will tighten the roll from the structure and maintain stability.



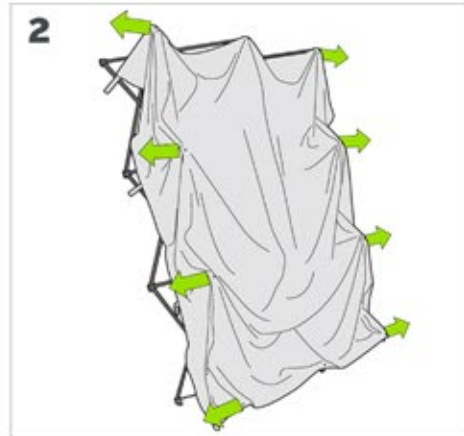
5 Place the top on to create the table top.

The corrugated roll is made of Polypropylene

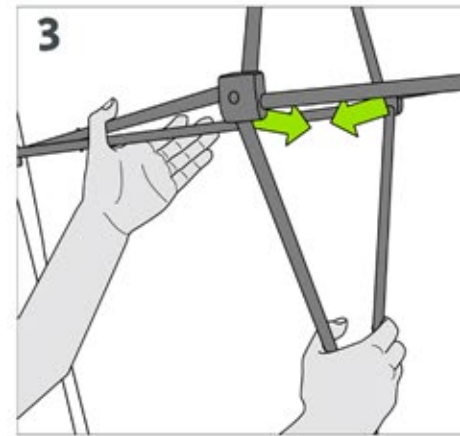
SET UP INSTRUCTIONS



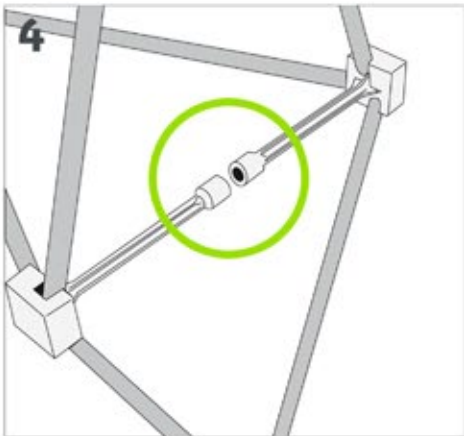
Gently expand the structure.



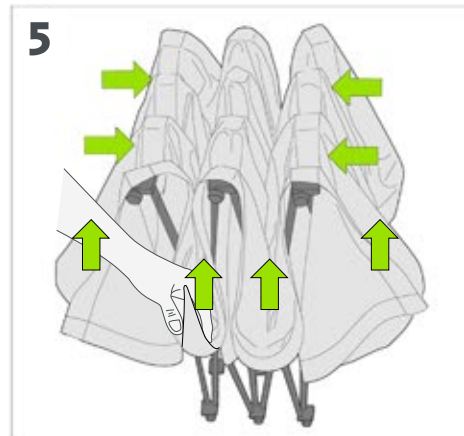
Expand the structure while bending it slightly backwards.



Pull the structure together at the cross-braces.



The powerful magnetic connectors allow the structure to automatically close in a few seconds.



Separate the magnetic connectors and fold up the frame. Be sure to raise the graphic while folding so as to not pinch it within the frame.



Set up the xpressions displays.