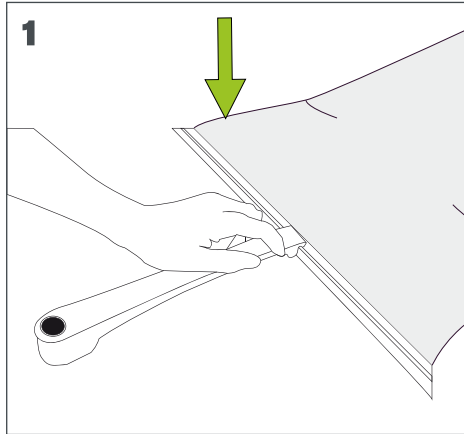
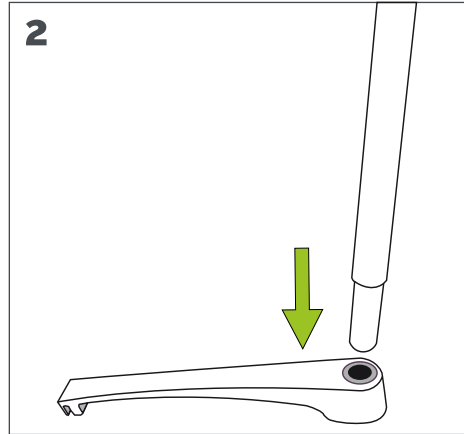


# lite.banner

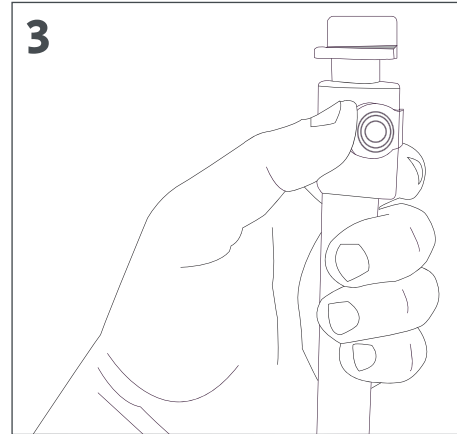
## SET UP INSTRUCTIONS



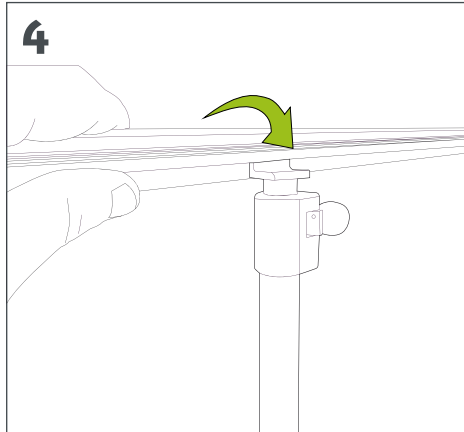
On a clean surface, put the base into the groove of the graphic kicker by centering it.



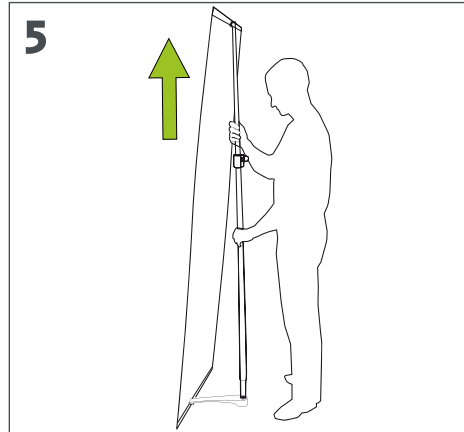
Insert the pole into the base.



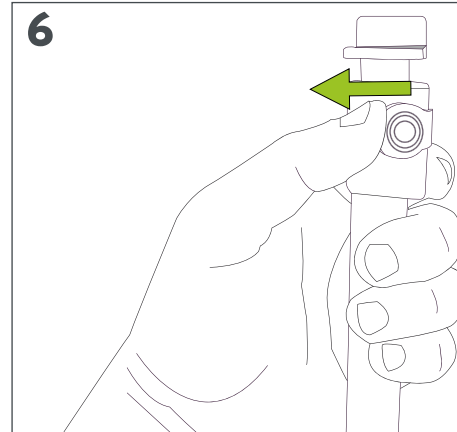
Open the locking clamp on the top of the telescopic pole.



Insert the graphic hanger into the center of the pole's head.



Adjust the height of the telescopic pole according to the length of the graphic.



Close the locking clamp of the telescopic pole.

Contents :

- lite.banner with telescopic pole
- Graphic with clipping hanger & kicker
- Base

