

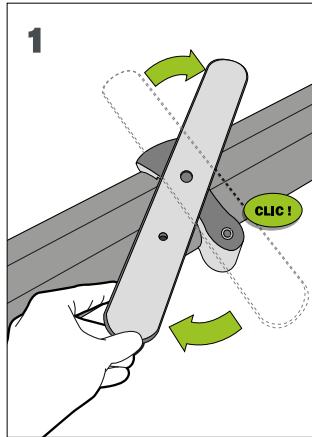
SET UP INSTRUCTIONS

Contents:

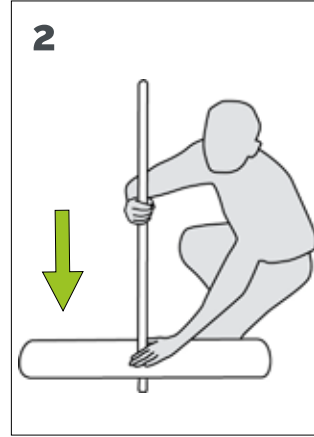
- . 1 retractable banner stand
- . 1 3-part telescopic pole
- . 1 aluminum hanger

- . 1 plastic header
- . 1 plastic "ECI" kicker

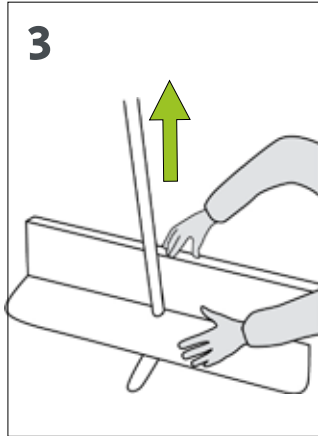
. 1 Allen key. Keep it to change the graphic



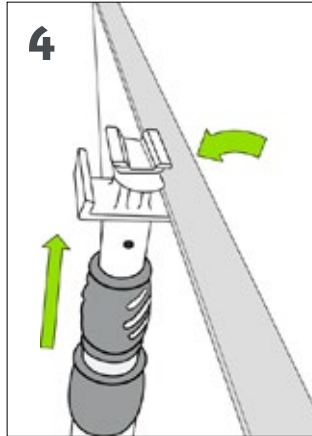
Turn the stabilizing foot perpendicular to the base until you hear it click into place.



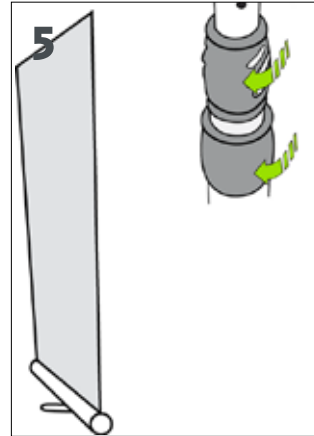
Insert the pole into the base.



Pull-up the graphic.

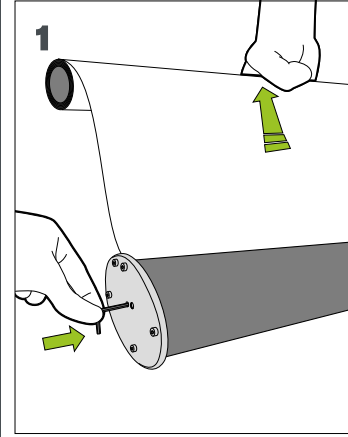


Attach the hanger onto the head of the pole. The pole does have light capability.

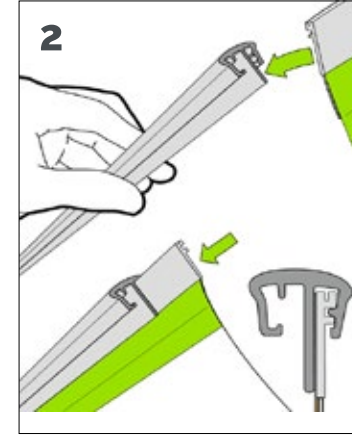


Set the pole to desired height: twist to the left to loosen and right to tighten the grip plastic locks.

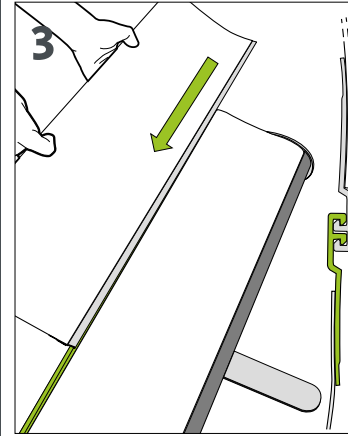
REPLACING THE GRAPHIC



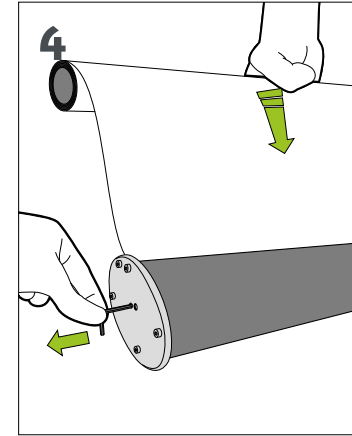
Pull the graphic and block it with the Allen Key.



Slide the graphic into the top aluminium profile.



Slide the base of the graphic onto the "ECI" plastic extrusion leader strip.



Remove the Allen Key and gently retract the graphic into the casing.

