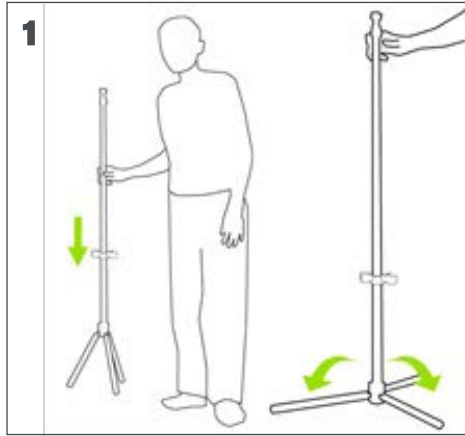
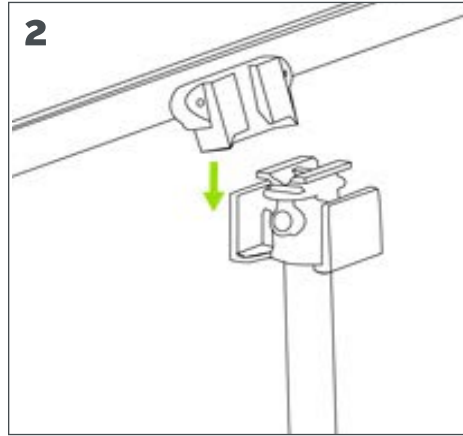


sprint.

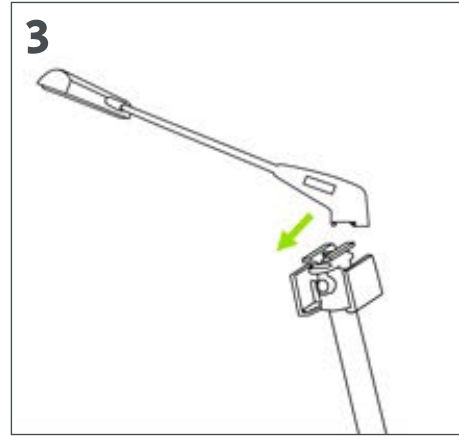
SET UP INSTRUCTIONS



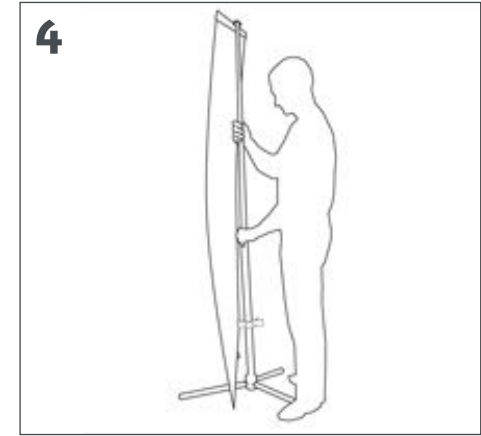
1 Remove display from case and hold upright, allowing the legs to snap into place.



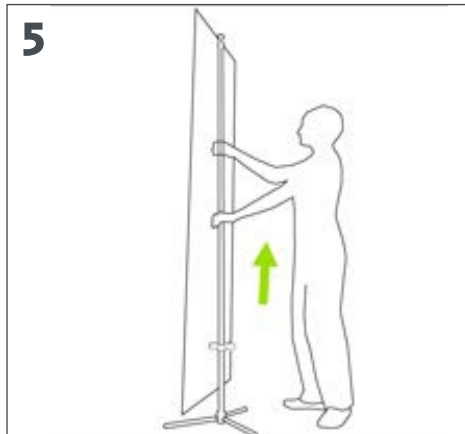
2 Take the graphic by the hanger and clip it onto the pole head using the center piece.



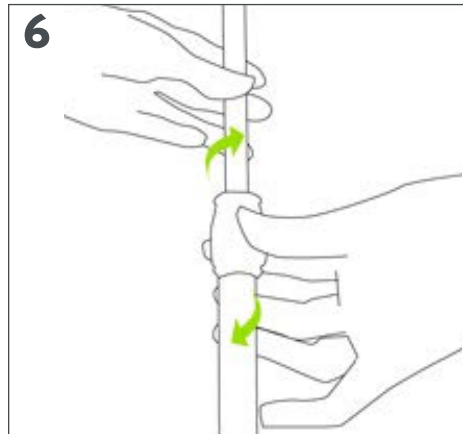
3 Position your optional light by sliding it into the groove of the pole head.



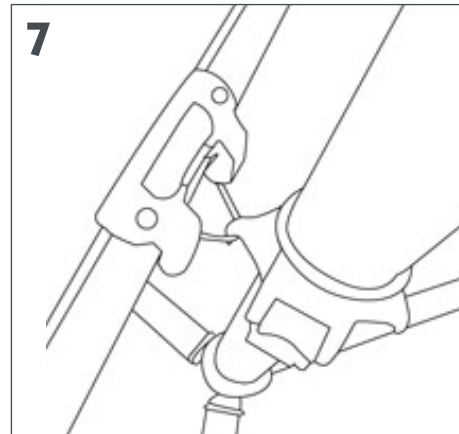
4 Unscrew one of the two black rings to release and adjust the telescopic pole



5 Adjust the banner to desired height.



6 Twist to the left to loosen and right to tighten the grip plastic locks, while adjusting the banner height.



7 Attache the kicker to the pins on the adjustable ring. The thumbscrew will allow you to adjust the position up or down. The tension between the hanger and kicker maintains the graphic on the sprint stand.

