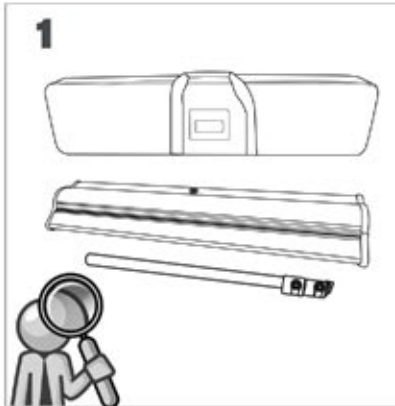


supreme.

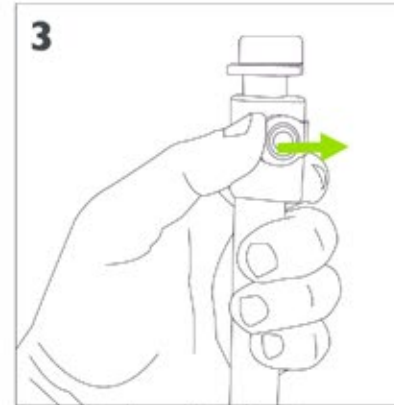
SET UP INSTRUCTIONS



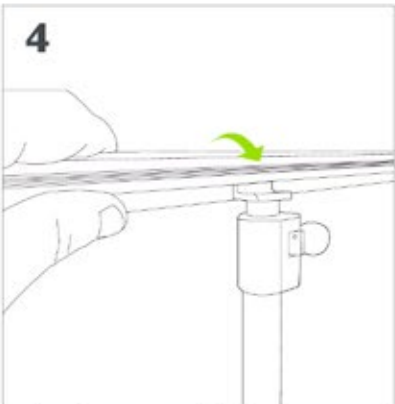
Contents:
1 retractable banner stand + 1
telescopic pole + transport bag



Insert the pole into the base.



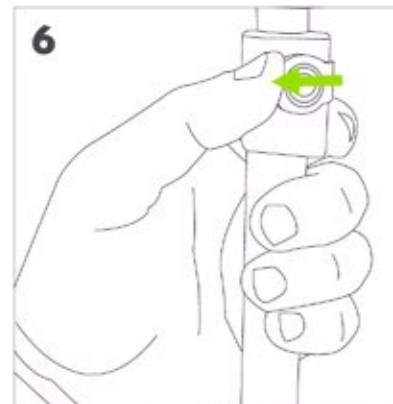
Open the locking clamp on the
top of the telescopic pole.



Insert the graphic hanger into
the center of the pole's head.



Adjust the height of the
telescopic pole according to the
length of the graphic.

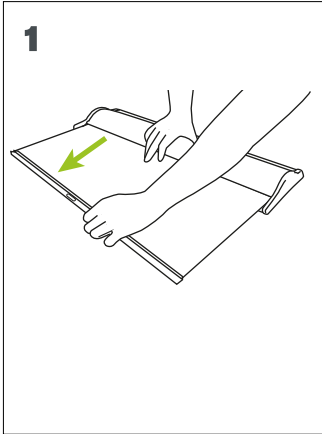


Close the locking clamp of the
telescopic pole.

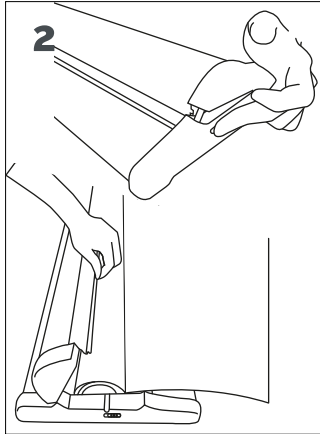


supreme.

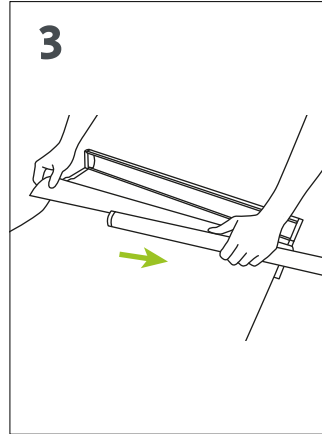
REPLACING THE GRAPHIC



1 Pull the graphic and block it with the locking pin.



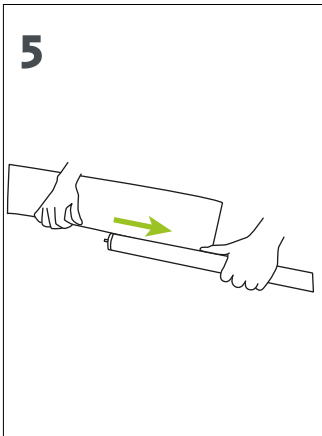
2 Press the buttons on either end of the base to open the cover and remove the roller.



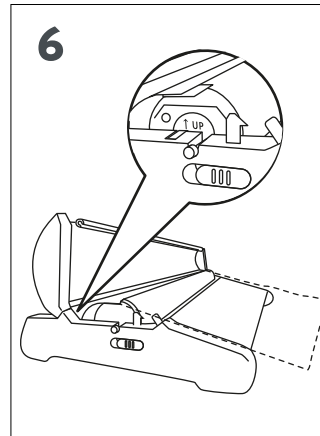
3 Unroll the remainder of the graphic, unclip the internal roller and remove the graphic.



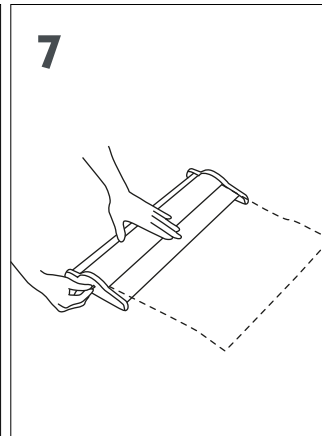
4 Slide the graphic into the top aluminium profile.



5 Insert the bottom of the graphic into the slot on the roller and clip it shut.

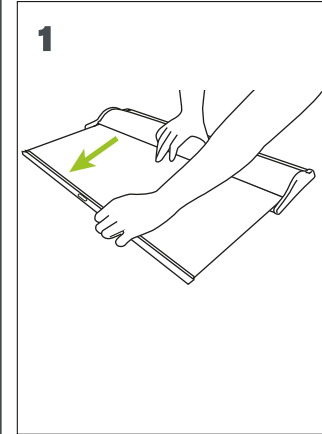


6 Return the internal roller to the base unit with the arrow pointing up. Close the base.

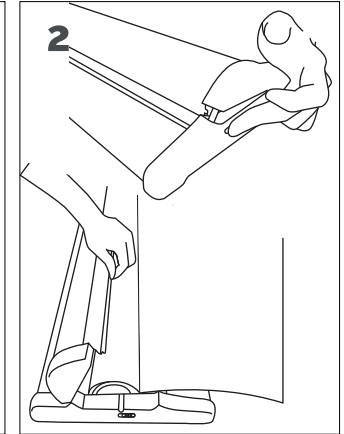


7 While holding the graphic base unit with the arrow pointing outside the base unit, remove the locking pin and slowly let the graphic retract into the base unit.

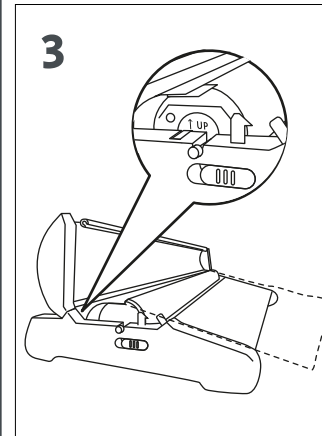
CHANGING THE GRAPHIC USING INTERNAL ROLLER



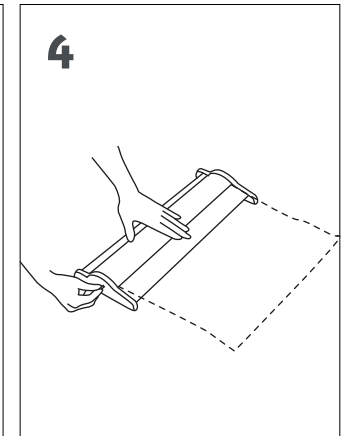
1 Pull the graphic and block it with the locking pin.



2 Press the buttons on either end of the base to open the cover and remove the roller.



3 Return the internal roller to the base unit with the arrow pointing up. Close the base.



4 While holding the graphic base unit with the arrow pointing outside the base unit, remove the locking pin and slowly let the graphic retract into the base unit.