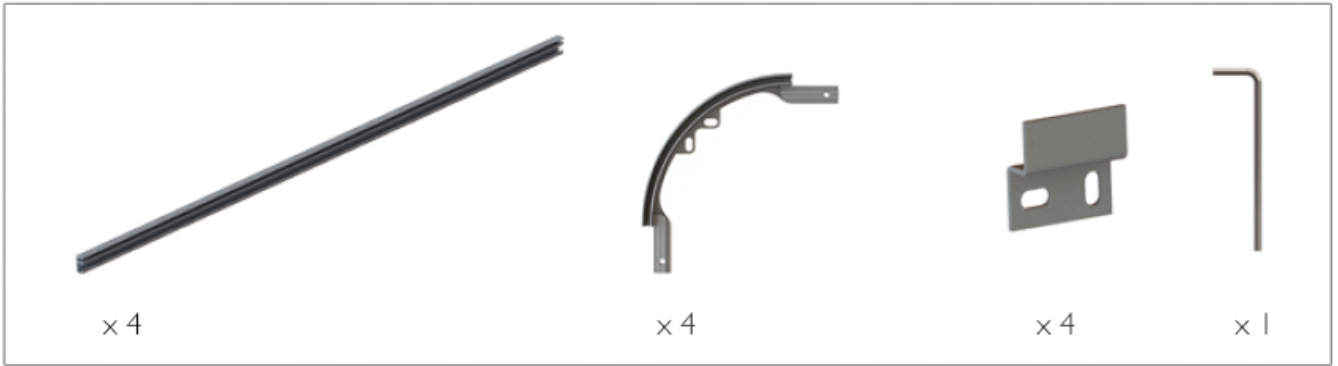
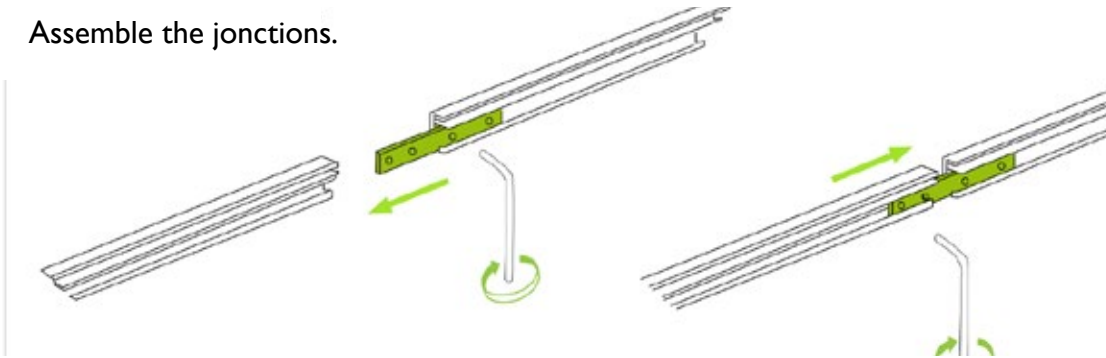


wall.frame contour

SET UP INSTRUCTIONS



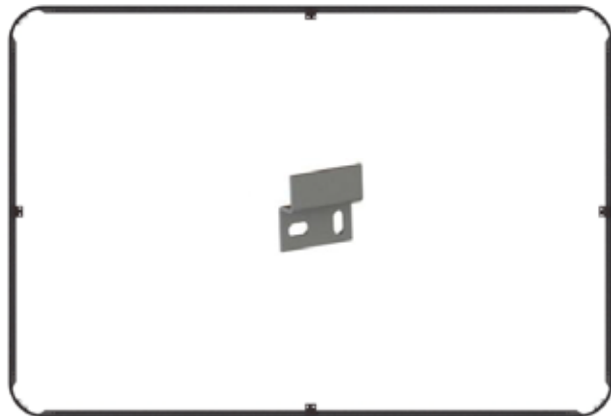
1 Assemble the junctions.



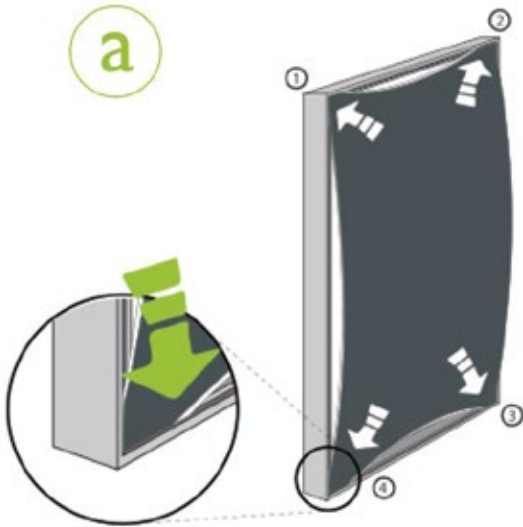
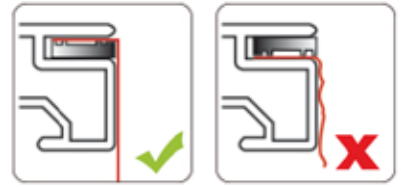
2 Mount the brackets.



3 Mount the wall brackets.

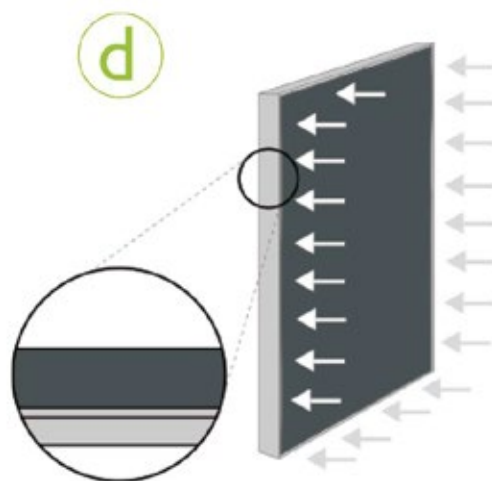
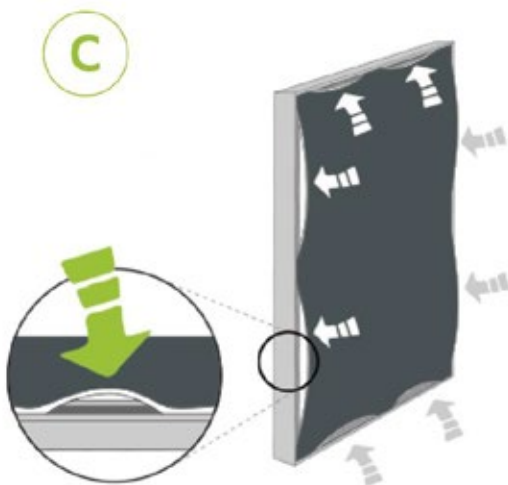
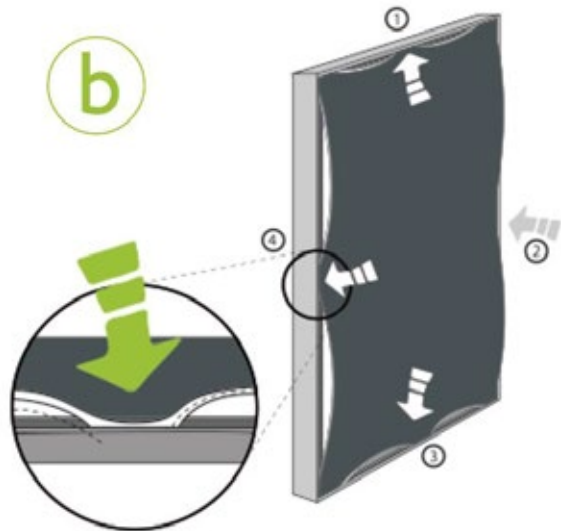


SET UP INSTRUCTIONS



Position the graphic in the 4 corners of the frame by pushing the silicon edging into the groove

Position the graphic edging in the middle of each side of the frame.



Work outwards towards the corners while continuing to press downwards on to the edging. To avoid stretching, creasing at the edges and dirtying of the graphic, do not wip your hands across image.