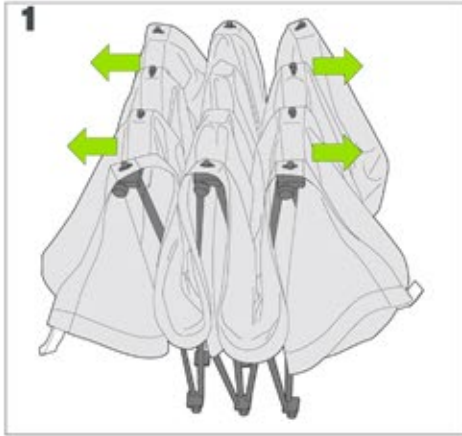
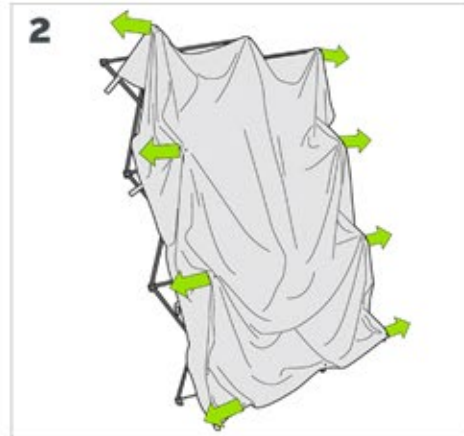


xpressions.

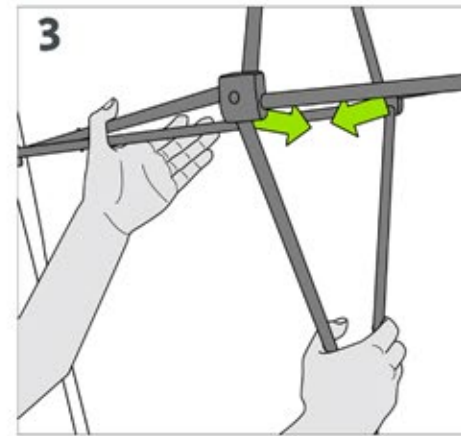
SET UP INSTRUCTIONS



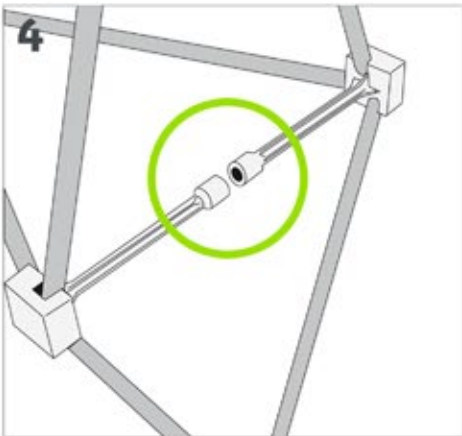
Gently expand the structure.



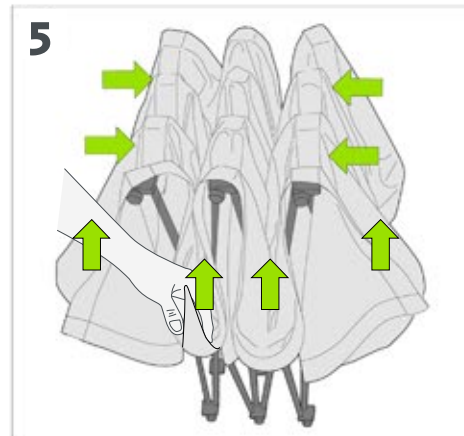
Expand the structure while bending it slightly backwards.



Pull the structure together at the cross-braces.



The powerful magnetic connectors allow the structure to automatically close in a few seconds.



Separate the magnetic connectors and fold up the frame. Be sure to raise the graphic while folding so as to not pinch it within the frame.

