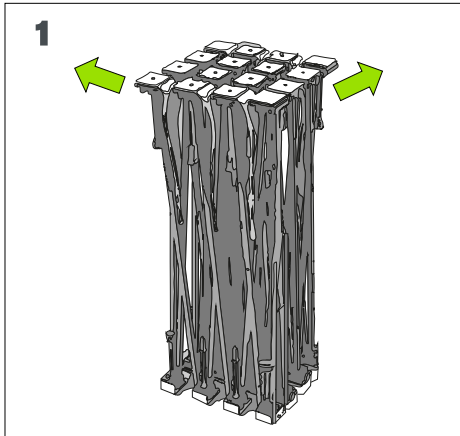
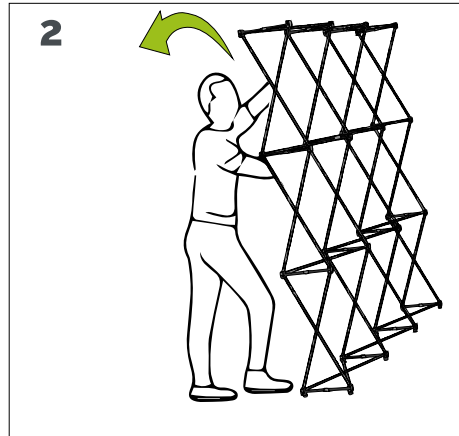


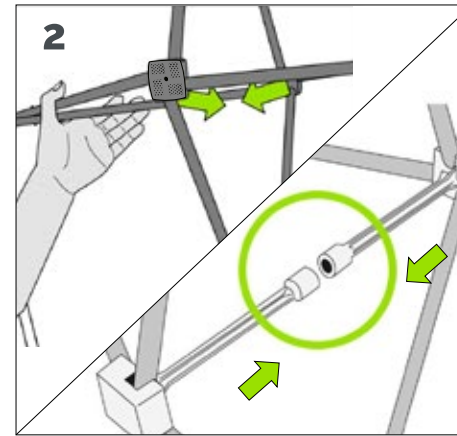
## SET UP INSTRUCTIONS



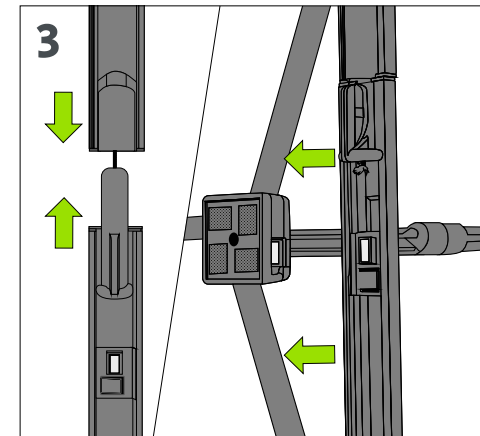
Gently expand the structure.



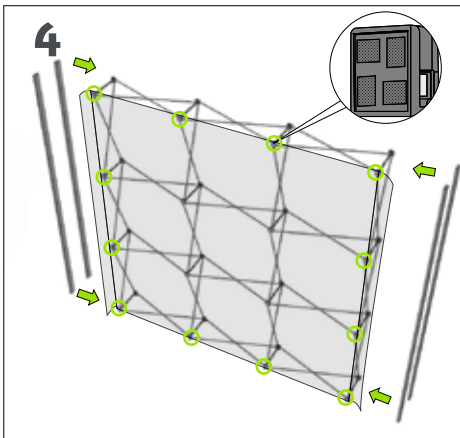
Expand the frame vertically while leaning it slightly backwards.



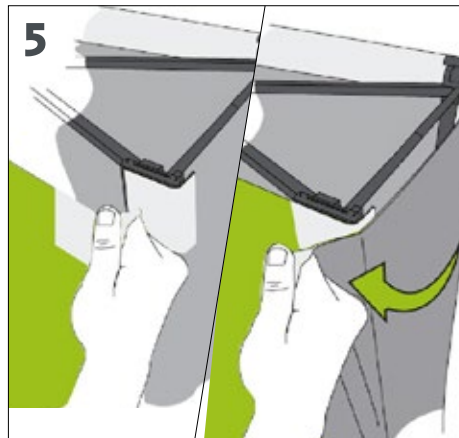
Pull the structure together at the cross-bars. The magnetic connectors will lock the frame into place.



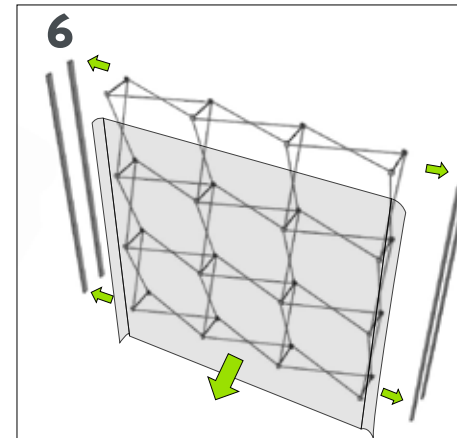
Assemble the magnetic bars and align them with the magnets in the hubs.



Install the bars vertically on the sides of the front and back hubs, then install the rear graphic by aligning the velcro tabs to the front of the hubs.



Install the front graphic the same way, then attach the graphic's endcaps on top of the rear graphic.



To dismantle, remove the graphics and the bars. Return the graphics to their plastic bags for storage. Separate the magnetic connectors then fold up the structure.

