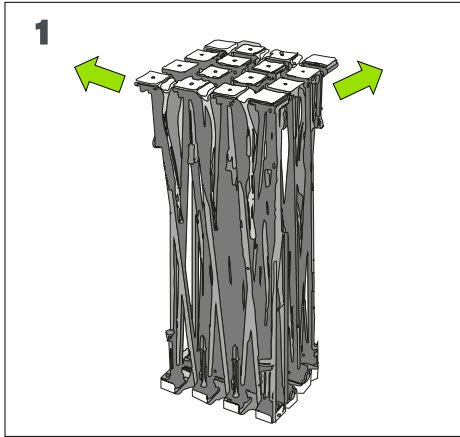
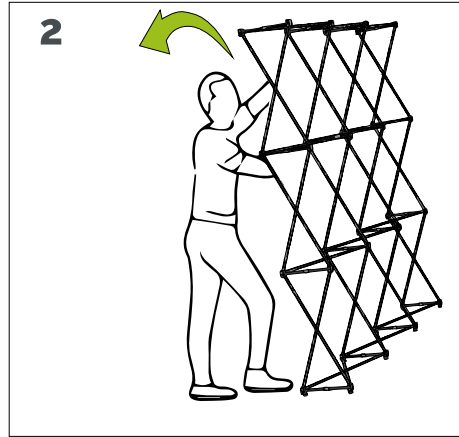


# xtension.squared

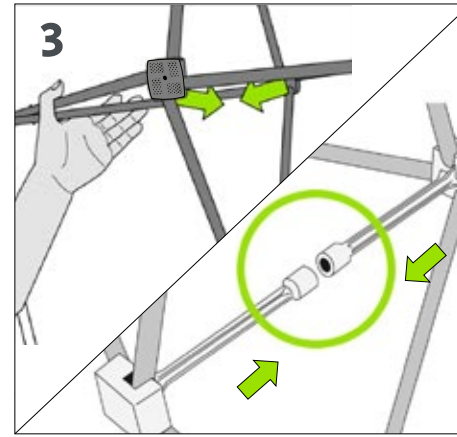
## SET UP INSTRUCTIONS



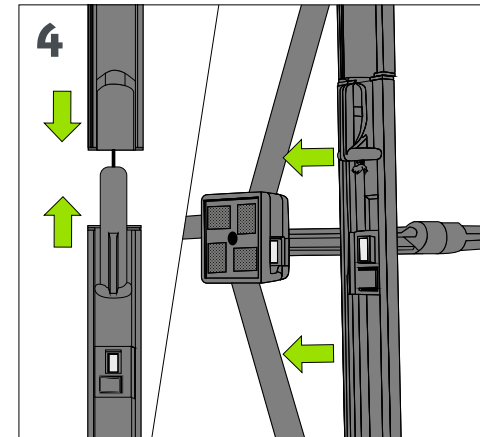
Gently expand the structure.



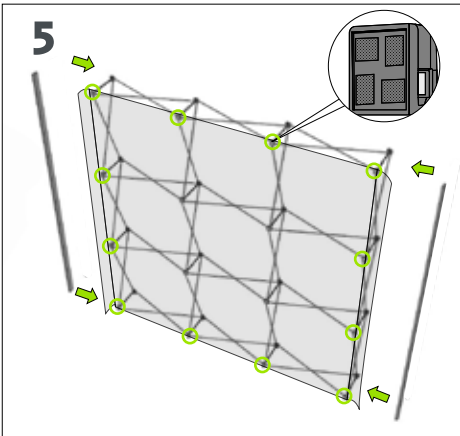
Expand the frame vertically while leaning it slightly backwards.



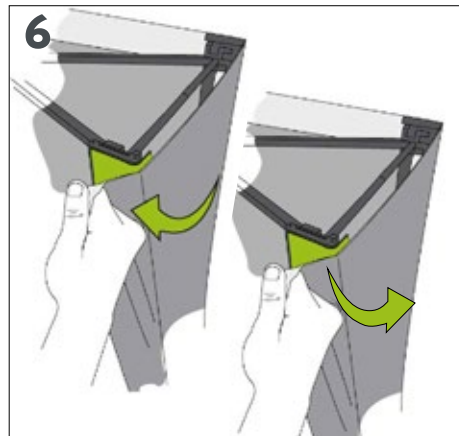
Pull the structure together at the cross-bars. The magnetic connectors will lock the frame into place.



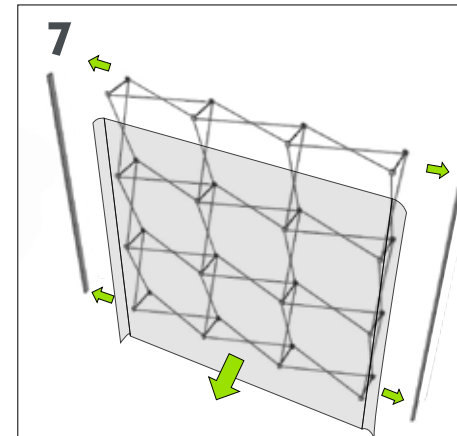
Assemble the magnetic bars and align them with the magnetics in the hubs.



Install the bars vertically on the sides of the front hubs, then install the graphic by aligning the velcro tabs to the front of the hubs.



Attach the graphic's endcaps to the back of the frame.



To dismantle, remove the graphic and the bars. Return the graphic to its plastic bag for storage. Separate the magnetic connectors then fold up the structure.

